

### FAUCET DESCRIPTION

- Metal construction with Chrome plated or Classic Brushed Nickel finish
- Copper or brass waterways
- 1/2" IPS connections
- Supplied with vandal resistant screws

### OPERATION

- 4" Wrist blade style handles with hot and cold color indicators
- Hot side counterclockwise (1/4) turn to open (clockwise to close)
- Cold side clockwise (1/4) turn to open (counterclockwise to close)

### FLOW

- Water usage is limited to these maximum flow rates as indicated by the corresponding product markings  
° 1.2 gpm max (4.5L/min) at 60 psi

### CARTRIDGE

- 1224 cartridge design
- Nonmetallic and stainless steel material

### STANDARDS

- Third party certified to WaterSense,® ASME A112.18.1/CSA B125.1, and all applicable requirements referenced therein
- Certified to NSF 61/9 & 372
- Products marked with 1.2 gpm are compliant with California water efficiency regulations
- Complies with California Proposition 65 and with the Federal Safe Drinking Water Act
- **ADA** for lever handles

### WARRANTY

- Warranted for five years against material or manufacturing defects

Two-Handle Lavatory Faucet				
MODEL	FLOW (gpm)	DRAIN	FINISH	WATERSENSE CERTIFIED
8800	1.2	Without	Chrome	x
8800CBN	1.2	Without	CBN	x
8800F05	0.5	Without	Chrome	
8800F03	0.35	Without	Chrome	
8810	1.2	Grid	Chrome	x
8820	1.2	Metal	Chrome	x
8820CBN	1.2	Metal	CBN	x

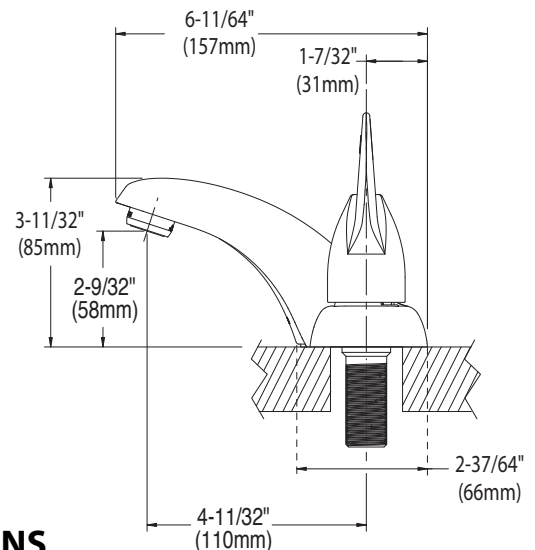
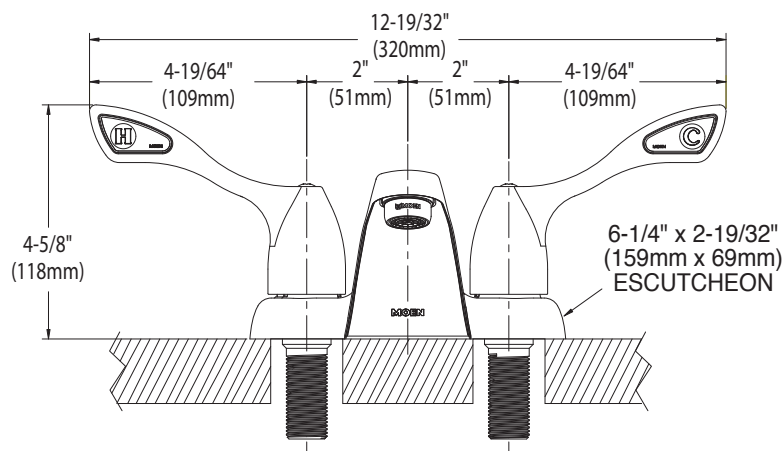
CBN-Classic Brushed Nickel



See table above

**NOTE:** Without drain assembly designed to be installed through 2 - 1" min. dia. holes 4" on center

**NOTE:** With drain assembly designed to be installed through 3 - 1" min. dia. holes 2" on center



### CRITICAL DIMENSIONS

(DO NOT SCALE)